

# STRATUS SEATING

## Operating Instructions



### Stratus Advance Task

WR-0564, WR-0565,  
WR-0567, WR-0568,  
WR-1174

#### A. Seat Depth Adjustment

Lift up on the lever, slide the seat forward or backward, and release it into one of the five desired locking positions.

#### B. Back Depth Adjustment

Lift up on the lever to disengage so the back will move freely forward and backwards to find the desired position. Then push downward on the lever to return the chair back into the locked position.

#### C. Seat Height Adjustment

To raise seat, lift weight off seat and pull the lever upward. To lower, pull lever upward while seated. Release lever to hold the desired seat height position.

#### D. Main Tilt Adjustment

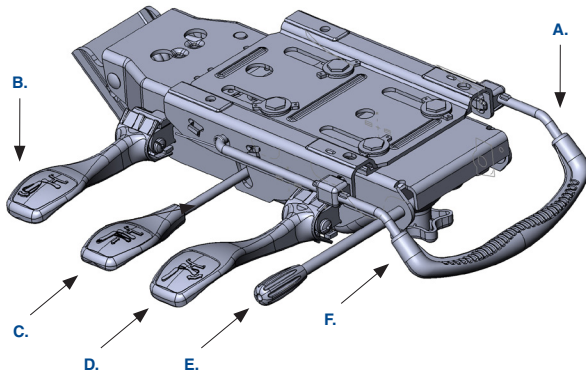
Lift lever up and make all the desired adjustments to the chair without holding the lever. Then lock into position by pushing lever back down.

#### E. Forward Tilt Adjustment

To allow the seat to tilt forward, twist the knob forward. Twist the knob rearward to restrict the forward tilt.

#### F. Tilt Tension Adjustment

Turn knob clockwise to increase seat tilt tension and counter clockwise to decrease tension.



#### Armrest Height Adjustment

Depress the button under the arm rest and raise or lower the arm to desired height.